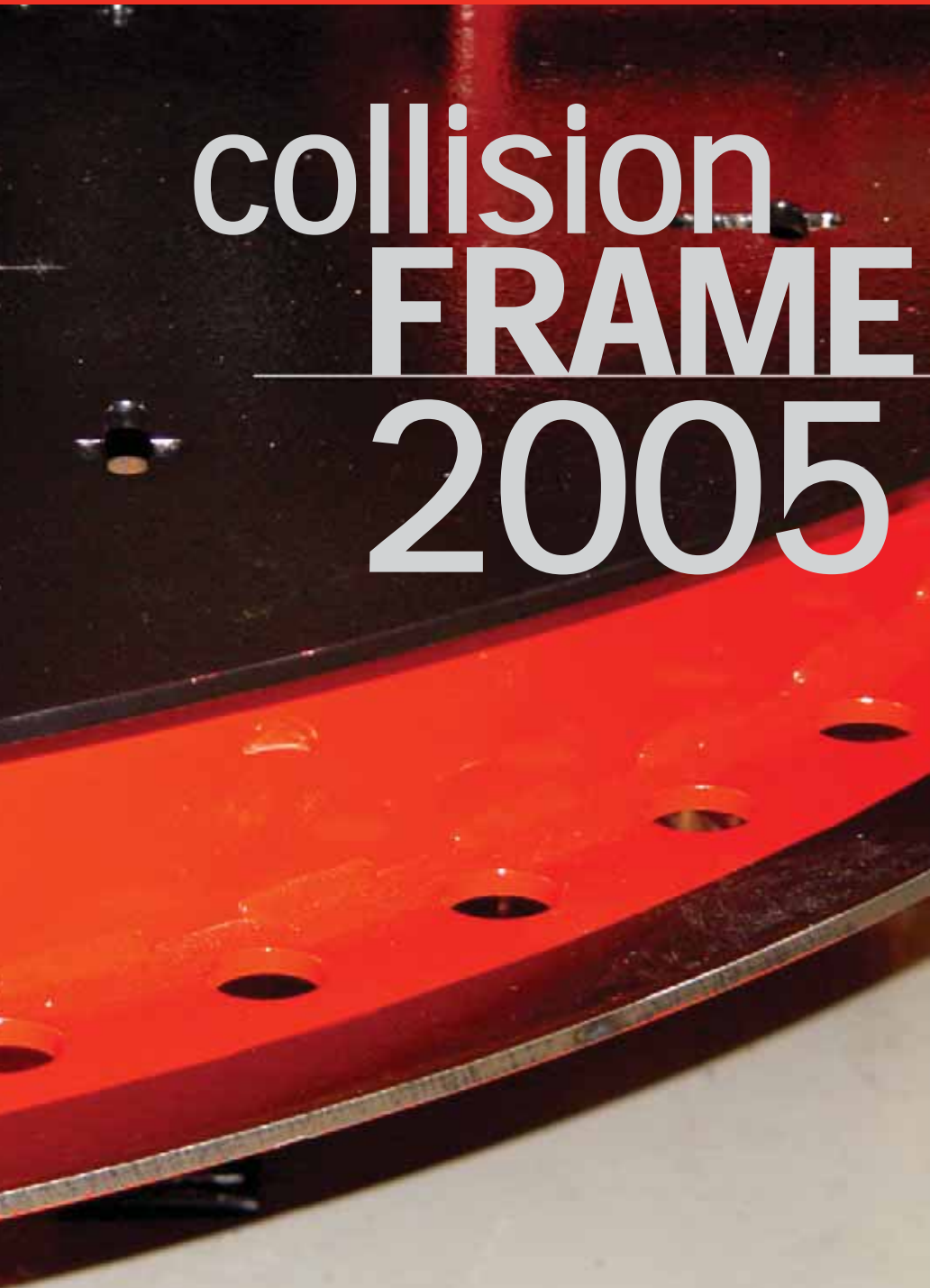


# BLACKHAWK®

# collision FRAME RACKS 2005



# Power-Pro®

## BLACKHAWK®

Power-Pro 1000, 2000 and 3000 family is the newest series of frame racks from the long line of unmatched Blackhawk collision repair systems.

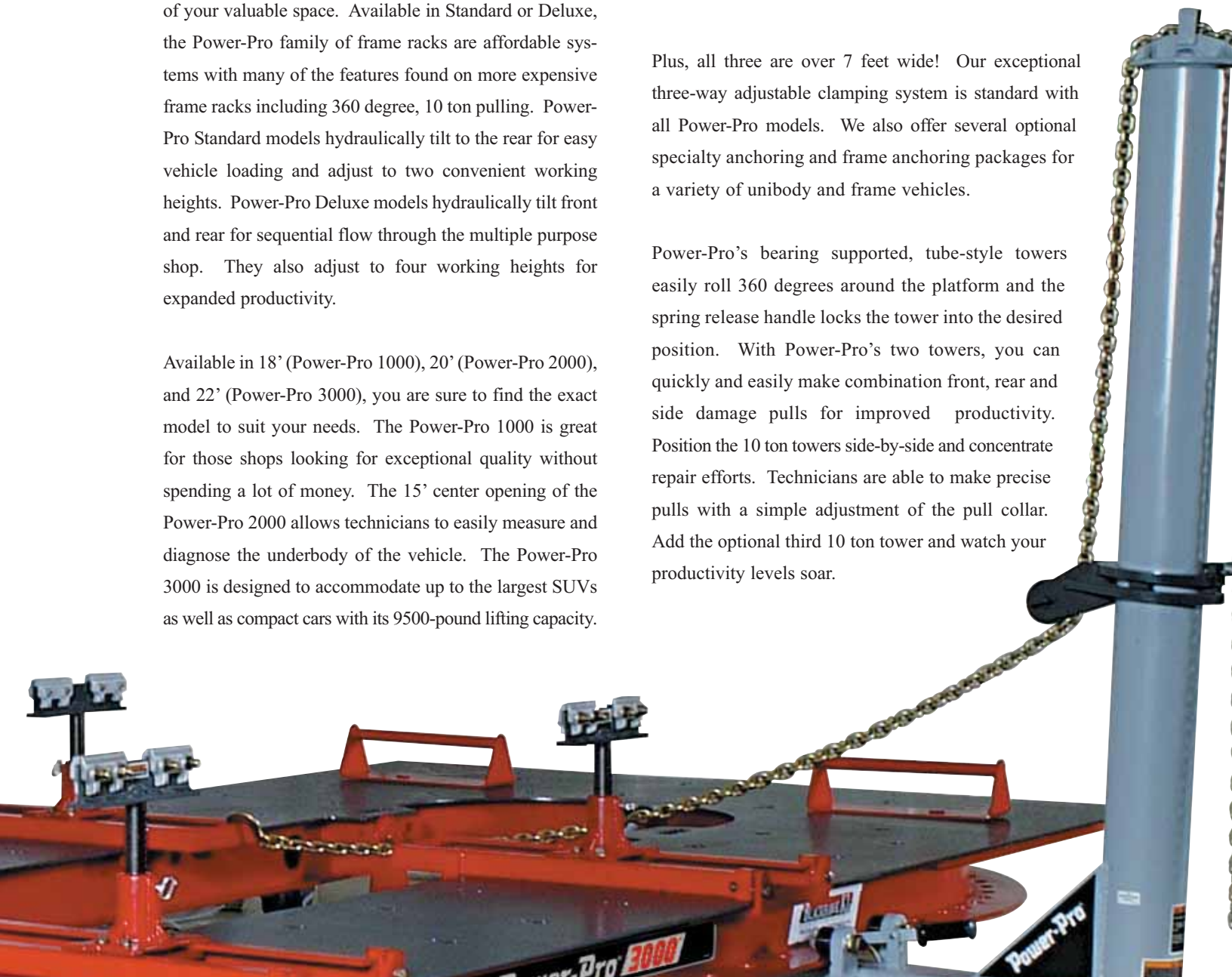
The Power-Pro series works with the wide variety of vehicles that enter your shop, without taking up too much of your valuable space. Available in Standard or Deluxe, the Power-Pro family of frame racks are affordable systems with many of the features found on more expensive frame racks including 360 degree, 10 ton pulling. Power-Pro Standard models hydraulically tilt to the rear for easy vehicle loading and adjust to two convenient working heights. Power-Pro Deluxe models hydraulically tilt front and rear for sequential flow through the multiple purpose shop. They also adjust to four working heights for expanded productivity.

Available in 18' (Power-Pro 1000), 20' (Power-Pro 2000), and 22' (Power-Pro 3000), you are sure to find the exact model to suit your needs. The Power-Pro 1000 is great for those shops looking for exceptional quality without spending a lot of money. The 15' center opening of the Power-Pro 2000 allows technicians to easily measure and diagnose the underbody of the vehicle. The Power-Pro 3000 is designed to accommodate up to the largest SUVs as well as compact cars with its 9500-pound lifting capacity.

## Power & Performance available at an Economical Price

Plus, all three are over 7 feet wide! Our exceptional three-way adjustable clamping system is standard with all Power-Pro models. We also offer several optional specialty anchoring and frame anchoring packages for a variety of unibody and frame vehicles.

Power-Pro's bearing supported, tube-style towers easily roll 360 degrees around the platform and the spring release handle locks the tower into the desired position. With Power-Pro's two towers, you can quickly and easily make combination front, rear and side damage pulls for improved productivity. Position the 10 ton towers side-by-side and concentrate repair efforts. Technicians are able to make precise pulls with a simple adjustment of the pull collar. Add the optional third 10 ton tower and watch your productivity levels soar.



# Collision repair solutions that help you p

## Power-Pro® 1000™

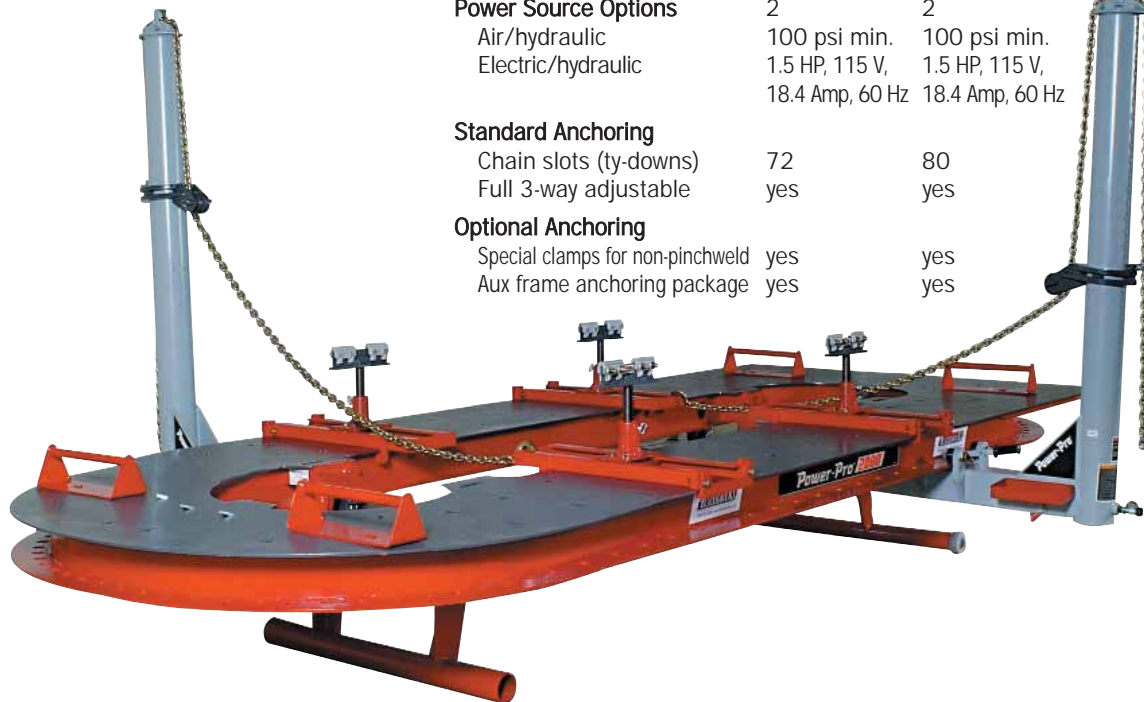


### Optional Accessories

#### Power-Pro 1000-2000-3000

- B9448900 - 10 Ton Tower Assembly
- A1712500 - Platform Accessory Set
- A1712600 - Tower Accessory Set
- K0059319 - Light Duty Frame Anchoring
- K0059232 - Full Frame Anchoring
- K0059223 - Extended Frame Anchoring

## Power-Pro® 2000™



### Specifications

- B9449000 Power-Pro 1000 Standard with Adjustable Leg
- B9449100 Power-Pro 1000 Deluxe with Pivot Leg
- B9449200 Power-Pro 2000 Standard with Adjustable Leg
- B9449300 Power-Pro 2000 Deluxe with Pivot Leg

Power Pro Model	1000	2000
<b>Length</b>		
Platform	18'	20'
Tower to tower		
Outside	23' 3"	25' 3"
Inside	20' 4"	22' 4"
Max w/ramps	23'	25'
Less tower	20' 3"	22' 3"
<b>Width</b>		
Platform	7' 4"	7' 4"
Tower to tower		
Outside	12' 7"	12' 7"
Inside	9' 9"	9' 9"
Runway	27"	27"
<b>Center Opening</b>		
Length	13' 1/2"	15' 1/2"
Width	34"	34"
<b>Towers</b>		
Max. ram ext. from floor	9'	9'
Max. pull height from platform	59"	59"
<b>Platform heights</b>		
Standard - Adjustable leg	20",28"	20",28"
Deluxe - Pivot leg	17",21",24",28"	17",21",24",28"
<b>System Specifications</b>		
Lifting	7500 lbs.	7500 lbs.
Pull capacity	10 ton	10 ton
<b>Power Source Options</b>		
	2	2
Air/hydraulic	100 psi min.	100 psi min.
Electric/hydraulic	1.5 HP, 115 V, 18.4 Amp, 60 Hz	1.5 HP, 115 V, 18.4 Amp, 60 Hz
<b>Standard Anchoring</b>		
Chain slots (ty-downs)	72	80
Full 3-way adjustable	yes	yes
<b>Optional Anchoring</b>		
Special clamps for non-pinchweld	yes	yes
Aux frame anchoring package	yes	yes

# profit today and prepare for tomorrow.

## Power-Pro® 3000™

### Specifications

B9449500 Power-Pro 3000 Standard with Adjustable Leg  
B9449400 Power-Pro 3000 Deluxe with Pivot Leg

#### Length

Platform	22'
Tower to tower	
Outside	27' 3"
Inside	24' 4"
Max w/ramps	27'
Less tower	24' 3"

#### Width

Platform	7' 4"
Tower to tower	
Outside	12' 7"
Inside	9' 9"
Runway	27"

#### Center Opening

Length	17' 1/2"
Width	34"

#### Towers

Max. ram ext. from floor	9'
Max.pull height from platform	59"

#### Platform heights

Standard -Adjustable leg	20",28"
Deluxe -Pivot leg	17",21",24",28"

#### System Specifications

Lifting	9500 lbs.
Pull capacity	10 ton

#### Power Source Options

Air/hydraulic	100 psi min.
Electric/hydraulic	1.5 HP, 115 V, 18.4 Amp, 60 Hz

#### Standard Anchoring

Chain slots (ty-downs)	88
Full 3-way adjustable	yes

#### Optional Anchoring

Special clamps for non-pinchweld	yes
Aux frame anchoring package	yes



# WORLD RACK® 4000™ L

## The Ultimate Choice in collision rack solutions, with a host of integrated features

### Specifications

Platform Length	21' 2-1/2"
Platform Width	6' 11-1/2"
Center Opening Length	19'
Center Opening Width	36"
Platform Heights	11", 12", 20", 24", 28", 31-1/2", 33"
Pull Capacity	10 ton
Chain Slots (ty-down)	59

### T-Towers

Easy-rolling tube-style towers with adjustable collar give you 360 degrees of 10-ton pulling with virtually unlimited positioning.

### Extended Platform

21-foot platform handles wide range of vehicles – from small cars to large SUVs, heavy-duty, extended cab, long bed trucks and dual wheels.

### Tower Controls

Controls are conveniently located for easy pull angle selection. Towers may be easily moved to any position.

### Power Option

Air/hydraulic foot pumps or electric/hydraulic options are available.

**Vehicle loading** is easy while the rack is either flat to the floor or hydraulically tilted at one end.

**Optional front end ramps** provide drive-through capability for improved work flow.

**Full-size platform** accommodates compact cars to large SUVs and long wheelbase trucks.

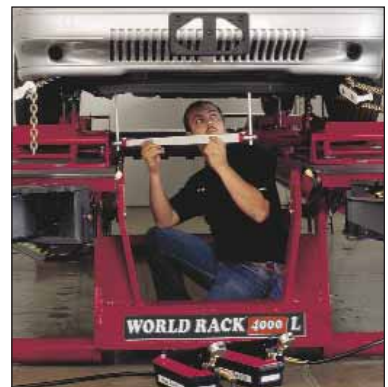


**Select a comfortable working height** by raising the rack in increments up to 33" above the floor for operator comfort. World Rack also has one of the *lowest* possible working heights on the market at 11 inches, allowing easy access to any part of the vehicle.

**Positive 3-way adjustable clamp system**, with two extended bases secure the unibody vehicle quickly and firmly.

**Unparalleled multiple pull performance** with easy rolling towers provide virtually unlimited positioning 360 degrees around the rack.

**Open-front design** of the World Rack 4000L allows unobstructed access to the vehicle underbody.



# Collision Repair Accessories



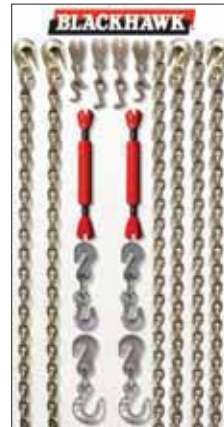
**Standard Accessory Kit**  
Model A1710102

Set Includes: 1 Self-Tightening Pull Clamp (single bolt), 1 Slide Pull Bracket (single bolt), 1 Self-Tightening Pull Clamp (double bolt), 1 Side Pull Bracket (double bolt), 1 Self-Tightening/Multi-Angle Pull Clamp, 1 Small Fender Puller (uneven bars), 1 Self-Tightening O-ring Pull Clamp, 1 Tac Clamp, 1 Tac Clamp Plate (3"), 1 Tac Clamp Plate (2"), 1 Tac Clamp Plate (1"), & Silhouette Tool Board



**Deluxe Accessory Kit**  
Model A1710103

Set Includes: All Standard Accessories (listed left), plus 1 McPherson - Universal Strong Pulls (15 pieces), 1 Pulling Hook (modular assembly), 1 Pulling Hook Plate, 1 Frame Horn Plate, 1 Nylon Strap, 1 Cable Sling, 1 Pull Adapter (regular pull - single loop), 1 Pull Adapter (regular pull - axial pull), 4 Edge Clamps (universal) & Silhouette Tool Board



**Ty-Down Kit**  
Model A1710104

Designed for anchoring and pulling vehicles on any frame machine. Chains are constructed of special heat treated alloys used in most frame repair.

Set Includes: 2 "J" Hooks, 2 "T" Hooks, 2 Chain Tighteners, 2 Grab Slips, 2 Double Grabs, 2 Nine-Foot Chains, 2 Five-Foot Chains & Silhouette Tool Board



**Platform Accessory Kit** **WORLD RACK 4000 L**  
Model A1711500

Designed to achieve pushing and pulling from the rack platform and center opening for correcting structural damage.

Set Includes: 1 Pull Down for Crossmember, 1 Down Pulley Attachment, 1 Crossmember, 1 Ram & Base (4 1/8") & Silhouette Tool Board



**Platform Accessory Kit** **Power-Pro**  
Model A1712500

Designed to achieve pushing and pulling from the rack platform and center opening for correcting structural damage.

Set Includes: 1 Pull Down for Crossmember, 1 Down Pulley Attachment, 1 Crossmember, 1 Ram & Base (4 1/8") & Silhouette Tool Board

All Items included in Accessory Kits are also available in individual pieces.



**Tower Accessory Kit**  
Model A1712600

Designed to make towers capable of making straight up pulls.

Set Includes: 1 Power Lift Bar & 1 Tower Collar Attachment & Silhouette Tool Board



1-877-4-TAG-TOOL or (1-877-482-4866) [www.BlackhawkCollisionRepair.com](http://www.BlackhawkCollisionRepair.com)

BLACKHAWK / 309 Exchange Avenue / Conway, AR 72032